



LISTING INFORMATION OF

**General Coatings Ultra-Thane 050, Ultra-Thane 050 MAX,
Ultra-Thane 050 MAX PRO, UPC 500, UPC 500 MAX and UPC
500 MAX PRO Spray-applied Polyurethane Foam Plastic
Insulation**

SPEC ID: 56170

General Coatings Manufacturing Corp.
1220 E. North Avenue
Fresno, CA 93725
United States

This report is for the exclusive use of Intertek's Client and is provided pursuant to the agreement between Intertek and its Client. Intertek's responsibility and liability are limited to the terms and conditions of the agreement. Intertek assumes no liability to any party, other than to the Client in accordance with the agreement, for any loss, expense or damage occasioned by the use of this report. Only the Client is authorized to permit copying or distribution of this report and then only in its entirety. Any use of the Intertek name or one of its marks for the sale or advertisement of the tested material, product or service must first be approved in writing by Intertek. The observations and test results in this report are relevant only to the sample tested. This report by itself does not imply that the material, product, or service is or has ever been under an Intertek certification program.

LISTING INFORMATION

Ultra-Thane 050, Ultra-Thane 050 MAX, Ultra-Thane 050 MAX PRO, UPC 500, UPC 500 MAX and UPC 500

MAX PRO: The insulations are two-component, open cell, spray-applied polyurethane foam plastics.

Ultra-Thane 050 and UPC 500 have a nominal in-place density of 0.52 pcf. Ultra-Thane 050 MAX, Ultra-Thane 050 MAX PRO, UPC 500 MAX and UPC 500 MAX PRO have a nominal in-place density of 0.45 pcf. The insulations are produced in the field by combining a polymeric isocyanate (A component) with a resin (B component).

The insulations meet the requirements of Mandatory Testing and selected Optional Testing of ICC-ES *Acceptance Criteria for Spray-applied Foam Plastic Insulation (AC377)* for a low-density insulation as described in Code Compliance Research Report CCRR-0358.

FLAME SPREAD RATINGS

Test Standard	Flame Spread Index	Smoke Developed Index
ASTM E84	25 or less	450 or less

FIRE RATINGS

Test Standard	Configuration / Details	Rating
NFPA 285	See GCM/FI 30-01	Meets requirements as configured
NFPA 286	See CCRR-0358	Met acceptance criteria of IBC Section 8903.1.1.1 and IRC Section R302.9.4 as configured
ICC-ES AC377 Appendix X	See CCRR-0358	Met requirements as configured

CODE COMPLIANCE RESEARCH REPORT

Evaluation Method	Building Code	CCRR Number
ICC-ES AC377	2021, 2018, 2015 IBC 2021, 2018, 2015 IRC 2021, 2018, 2015 IECC	CCRR-0358

Attribute	Value
Code Reports	Yes
Criteria	NFPA 286 (2015)
Criteria	NFPA 285 (2019)
Criteria	ASTM E84 (2018b)
Criteria	ICC 1100 (2019)

Criteria	ICC-ES AC377 (April 2020)
CSI Code	07 21 00 Thermal Insulation
CSI Code	07 21 19 Foamed-In-Place Insulation
Listing Section	BUILDING MATERIALS WITH SURFACE BURNING CHARACTERISTICS
Listing Section	FOAM PLASTIC INSULATION
Spec ID	56170

DRAWING INDEX

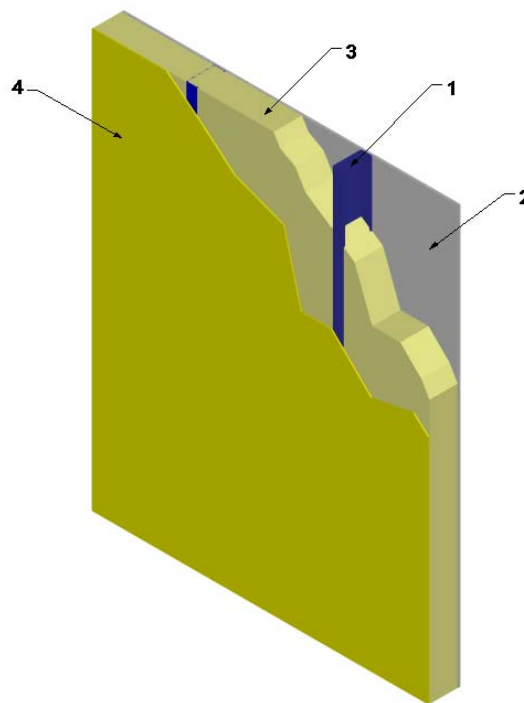
GCM/FI 30-01

GCM/FI 30-01



Division 07 – Thermal and Moisture Protection
 07 21 00 Thermal Insulation
 07 21 19 Foamed-In-Place Insulation

General Coatings Manufacturing Corp. and Universal Polymers Corporation
 Design No. GCM/FI 30-01
 Spray Polyurethane Foam Insulation
 Ultra-Thane 050, Ultra-Thane 050 MAX, UPC 500, and UPC 500 MAX
 NFPA 285
 Rating: Meets Conditions of Acceptance



1. **WALL FRAMING:** Install minimum 3-5/8 in. deep, maximum 6 in. deep, 20 GA galvanized steel studs spaced max. 24 in. on center (oc). Secure steel studs to minimum 3-5/8 in. 20 GA top and bottom track (not shown) using #8, 7/16 in. long, self-tapping, pan-head framing screws.
2. **GYPSUM BOARD:** Install 5/8 in. thick Type X gypsum board with long dimension perpendicular to studs (Item 1). Attach to steel studs (Item 1) using #6, Type S, 1-1/4 in. long, self-tapping, bugle-head screws.

Space fasteners 8 in. oc around perimeter and 12 in. oc in the field.

- A. **Joint Tape and Compound (Not Shown):** Apply a level 2 finish of vinyl or casein, dry or premixed joint compound applied to the following elements: Apply to face layer of gypsum board (Item 2) in two coats to all exposed fastener heads and gypsum board joints. Embed minimum 2-inch-wide paper, plastic, or fiberglass tape in first layer of compound over joints in gypsum board (Item 2).

Date Issued: November 30, 2020

Page 1 of 2

Project No. G104370570

Version: 02 August 2017

SFT-BC-OP-19I

GCM/FI 30-01 (2 OF 2)

Division 07 – Thermal and Moisture Protection
07 21 00 Thermal Insulation
07 21 19 Foamed-In-Place Insulation

3. CAVITY INSULATION: Spray-apply one of the following insulations at its nominal density to completely or partially fill the steel stud (Item 1) cavity, leaving a maximum 2-inch air gap.

A. **CERTIFIED COMPANY:** General Coatings Manufacturing Corp.

CERTIFIED PRODUCT: Spray Polyurethane Foam Insulation

CERTIFIED MODELS: Ultra-Thane 050 (nominal density 0.52 pcf) or Ultra-Thane 050 MAX (nominal density 0.45 pcf)

B. **CERTIFIED COMPANY:** Universal Polymers Corporation

CERTIFIED PRODUCT: Spray Polyurethane Foam Insulation

CERTIFIED MODELS: UPC 500 (nominal density 0.52 pcf) or UPC 500 MAX (nominal density 0.45 pcf)

4. EXTERIOR SHEATHING: Install 5/8 in. thick, Type X exterior gypsum sheathing to the exterior side of studs (Item 1). Install sheathing with long dimension perpendicular to studs. Attach to steel studs using #6, Type S, 1-1/4 in. long, self-tapping, bugle-head screws Space fasteners 8 in. oc around perimeter and 12 in. oc in the field.

5. OPENINGS (Not Shown): Openings must be protected with 20 GA steel framing.

6. FLOORLINE FIRESTOPPING (Not Shown): Install 4 in. thick, 4.0 pcf mineral wool in the stud cavity at the floorlines.

7. EXTERIOR WALL COVERINGS (Not Shown): Details of exterior wall coverings and fenestration details must be provided to the building official along with an engineering analysis demonstrating that the addition of the wall covering and fenestration details will not negatively impact conformance of the assembly with the requirements of IBC Section 2603.5.

Consult the listing report on the Directory of Building Products (<https://bpdirectory.intertek.com>) for the edition of the standard(s) evaluated.

Issue Date: 04-17-2020
Revised Date: 04-05-2024
Renewal Date: 04-30-2025

DIVISION: 07 00 00 – THERMAL AND MOISTURE PROTECTION

Section: 07 21 00 – Thermal Insulation

Section: 07 21 19 – Foamed-In-Place Insulation

REPORT HOLDER:

General Coatings Manufacturing Corp.

1220 East North Avenue

Fresno, California 93725

(559) 495-4004

www.generalcoatings.net

ADDITIONAL LISTEE:

Universal Polymers Corporation

3001 East Pioneer Parkway

Arlington, TX 76010

(682) 503-8069

www.upcfoam.com

REPORT SUBJECTS:

Ultra-Thane 050, Ultra-Thane 050 MAX, Ultra-Thane 050 MAX PRO, UPC 500, UPC 500 MAX and UPC 500 MAX PRO Spray-applied Polyurethane Foam Plastic Insulation

1.0 SCOPE OF EVALUATION

1.1 This Research Report addresses compliance with the following Codes:

- 2021, 2018 and 2015 *International Building Code*® (IBC)
- 2021, 2018 and 2015 *International Residential Code*® (IRC)
- 2021, 2018 and 2015 *International Energy Conservation Code*® (IECC)

NOTE: This report references the most recent Code editions cited. Section numbers in earlier editions may differ.

1.2 The insulations have been evaluated for the following properties (see Table 1):

- Physical properties
- Surface-burning characteristics
- Thermal resistance
- Air permeance

1.3 The insulations have been evaluated for the following uses (see Table 1):

- Use as a nonstructural thermal insulating material on or in interior and exterior walls, floors, ceilings and the underside of roofs
- Alternative to Code-prescribed thermal barriers
- Alternative to Code-prescribed ignition barriers
- Use in Types I, II, III, IV, and V construction under the IBC and construction under the IRC

2.0 STATEMENT OF COMPLIANCE

The spray-applied polyurethane insulation products described in this report comply with the Codes listed in Section 1.1, for the properties stated in Section 1.2 and uses stated in Section 1.3, when installed as described in this report, including the Conditions of Use stated in Section 6.

3.0 DESCRIPTION

3.1 Ultra-Thane 050, Ultra-Thane 050 MAX, Ultra-Thane 050 MAX PRO, UPC 500, UPC 500 MAX and UPC 500 MAX PRO: The insulations are two-component, open cell, spray-applied polyurethane foam plastics. Ultra-Thane 050 and UPC 500 have a nominal in-place density of 0.52 pcf. Ultra-Thane 050 MAX, Ultra-Thane 050 MAX PRO, UPC 500 MAX and UPC 500 MAX PRO have a nominal in-place density of 0.45 pcf. The insulations are produced in the field by combining a polymeric isocyanate (A component) with a resin (B component). The insulation liquid components are supplied in 55-gallon drums and must be stored at temperatures between 50°F and 80°F. The resin (B component) must be protected from freezing temperatures. The A components have a shelf life of twelve months and B components have a shelf life of six months when stored in factory-sealed containers at these temperatures.

3.2 DC315 Intumescent Coating: DC315 intumescent coating, manufactured by International Fireproof Technology, Inc., is a water-based coating supplied in 5-gallon pails and 55-gallon drums. The coating material has



a shelf life of 24 months when stored in factory-sealed containers at a temperature between 41°F and 95°F. DC315 complies with ICC-ES AC456 and is recognized in ICC-ES ESR-3702.

3.3 No Burn® Plus ThB: No-Burn® Plus ThB is a one-part water-based intumescent coating manufactured by No-Burn, Inc. The coating is supplied in 5-gallon pails and 55-gallon drums and has a shelf life of 12 months when stored in unopened containers between 40°F and 90°F. No-Burn® Plus ThB complies with ICC-ES AC456 as recognized in IAPMO Uniform Evaluation Service Report ER-0305.

4.0 PERFORMANCE CHARACTERISTICS

4.1 Surface-burning characteristics: The insulations, at a maximum thickness of 4 inches and the nominal densities stated in Section 3.1 of this report, have a flame-spread index of 25 or less and a smoke-developed index of 450 or less when tested in accordance with ASTM E84. Based on large scale tests in accordance with NFPA 286 and ICC-ES AC377 Appendix X, the insulation can be installed at greater thicknesses as described in Sections 5.3 and 5.4. When the insulations are separated from the interior occupied space of the building with minimum 1/2-inch-thick gypsum board, the maximum insulation thickness is not limited. Under the IRC, a thermal barrier of minimum 23/32-inch-thick wood structural panel is also permitted, and the maximum insulation thickness is not limited.

4.2 Thermal Resistance: The thermal resistance of the Ultra-Thane 050 and UPC 500 insulations is shown in Table 2. Consult the manufacturer for thermal resistance values for the Ultra-Thane 050 MAX, Ultra-Thane 050 MAX PRO, UPC 500 MAX and UPC 500 MAX PRO insulations.

4.3 Air Permeability: The insulations, at a minimum thickness of 3-3/4 inches (Ultra-Thane 050 and UPC 500) and 3 inches (Ultra-Thane 050 MAX, Ultra-Thane 050 MAX PRO, UPC 500 MAX and UPC 500 MAX PRO) are considered air-impermeable insulation in accordance with IBC Section 1202.3 or IRC Sections R202 and R806.5 and are considered air barrier materials complying with IECC Section C402.5.1.3, based on testing in accordance with ASTM E2178.

5.0 INSTALLATION

5.1 General:

The insulations must be installed in accordance with the manufacturer's published installation instructions, the applicable Code, and this Research Report. A copy of the manufacturer's instructions must be available on the jobsite during installation.

5.2 Application: The insulations are spray-applied on the jobsite using a volumetric positive displacement pump as identified in the General Coatings application instructions. The insulations must be applied when the ambient temperature is greater than 32°F. The insulations must not be used in areas that have a maximum in-service temperature of greater than 180°F. The insulations must not be used in electrical outlet or junction boxes or in contact with water, rain, or soil. The insulations must not be sprayed onto a substrate that is wet or covered with frost or ice, loose scales, rust, oil, or grease. The insulations must be protected from the weather during and after application. The insulations are applied in passes a minimum of 3-inches thick and a maximum of 14-inches thick.

5.3 Thermal Barrier:

5.3.1 Application with a Prescriptive Thermal Barrier: The insulations must be separated from the interior living space of the building by an approved thermal barrier of 1/2-inch-thick gypsum board or an equivalent 15-minute thermal barrier complying with, and installed in accordance with, IBC Section 2603.4 or IRC Section R316.4, as applicable. Exceptions are provided in Sections 5.3.2 and 5.4.

When the insulations are separated from the interior living space of the building with minimum 1/2-inch-thick gypsum board, the maximum thickness is not limited. Under the IRC, a thermal barrier of 23/32-inch-thick wood structural panel is also permitted, and the maximum insulation thickness is unlimited.





5.3.2 Application without a Prescriptive Thermal Barrier:

The insulations may be installed without the 15-minute thermal barrier prescribed in IBC Section 2603.4 and IRC Section R316.4, when installed as described in this section. The insulation must be covered with one of the following coatings:

- Ultra-Thane 050 and UPC 500 insulation must be a maximum of 8-1/2 inches on walls and 14 inches on ceilings and be covered on all surfaces with DC315 applied at 18 wet mils (1.13 gal/100ft²).
- Ultra-Thane 050 MAX, Ultra-Thane 050 MAX PRO, UPC 500 MAX and UPC 500 MAX PRO insulation must be a maximum of 8 inches on walls and 14 inches on ceilings and be covered on all surfaces with DC315 applied at 21 wet mils (1.31 gal/100 ft²).
- Ultra-Thane 050, Ultra-Thane 050 MAX, Ultra-Thane 050 MAX PRO, UPC 500, UPC 500 MAX and UPC 500 MAX PRO insulation must be a maximum of 8-1/2 inches on walls and 14 inches on ceilings and be covered on all surfaces with No Burn Plus ThB applied at 14 wet mils (0.90 gal/100 ft²).

The coating must be applied over the insulation in accordance with the coating manufacturer's instructions and this report. Surfaces to be coated must be dry, clean, and free of dirt, loose debris and other substances that could interfere with adhesion of the coating. The coating is applied with low-pressure airless spray equipment.

5.4 Attics and Crawl Spaces:

The insulations may be applied in attics and crawl spaces as described in either 5.4.1 or 5.4.2. When the insulation is installed in an attic or crawlspace in accordance with this section, a thermal barrier is not required between the insulation and the attic or crawl space but is required between the insulation and the interior living space. Attics and crawl spaces must be ventilated in accordance with the applicable Code.

5.4.1 Application with a Prescriptive Ignition Barrier:

When the insulations are installed within attics and crawl spaces where entry is made only for service of utilities, the ignition barrier must be installed in accordance with IBC Section 2603.4.1.6, or IRC Section R316.5.3 or R316.5.4, as applicable. The ignition barrier must be consistent with the requirements for the type of construction required by the

applicable Code and must be installed in a manner so the foam plastic insulation is not exposed.

5.4.2 Application without a Prescriptive Ignition Barrier:

The insulations may be installed in attics and crawl spaces without the ignition barrier prescribed in IBC Section 2603.4.1.6 and IRC Sections R316.5.3 and R316.5.4, subject to the following conditions:

- a. Entry to the attic or crawl space is only to service utilities, and no storage is permitted.
- b. There are no interconnected attic or crawl space areas.
- c. Air in the attic or crawl space is not circulated to other parts of the building.
- d. Under-floor (crawl space) ventilation is provided when required by IBC Section 1202.4 or IRC Section R408.1, as applicable.
- e. Attic ventilation is provided when required by IBC Section 1202.2.1 or IRC Section R806, except when air-impermeable insulation is permitted in unvented attics in accordance with IBC Section 1202.3 or IRC Section R806.5.
- f. Combustion air is provided in accordance with IMC (International Mechanical Code) Section 701.

The insulations may be spray-applied to the underside of the roof sheathing and/or rafters in attics; the underside of wood floors in crawl spaces; and to vertical surfaces in both attics and crawl spaces, as described in this section. The thickness of the insulation applied to the underside of horizontal surfaces must not exceed 14 inches, and to vertical surfaces must not exceed 8-1/2 inches. The insulations must be covered on all exposed surfaces with DC315 intumescent coating at a nominal thickness of 6 wet mils (0.38 gal/100 ft²). The coating is applied with low-pressure airless spray equipment in accordance with the coating manufacturer's instructions and this report. Surfaces to be coated must be dry, clean, and free of dirt, loose debris, and other substances that could interfere with the adhesion of the coating.

5.4.3 Unvented Attics: General Coatings has conducted end use configuration testing (per IBC Section 2603.9 and IRC Section R316.6) and analysis to qualify the use of Ultra-Thane 050, Ultra-Thane 050 MAX, Ultra-Thane 050 MAX PRO, UPC 500, UPC 500 MAX and UPC MAX PRO insulation without a prescriptive ignition barrier or intumescent coating in unvented attics conforming with IBC Section





1202.3 or IRC Section R806.5. The testing and analysis are described in Intertek Report 104294990SAT-010, dated July 31, 2020. The conclusions of that evaluation are as follows: When the insulation is applied in unvented attics conforming to IBC Section 1202.3 or IRC Section R806.5, the insulation may be applied to the underside of roof sheathing and/or rafters, and to vertical surfaces to a minimum thickness of 3-1/2 in. Maximum thickness on the underside of roof sheathing or on vertical wall surfaces is 16 in. The insulation may be left exposed to the attic without a prescriptive ignition barrier or an intumescent coating. The attic must have attic access complying with IRC Section R807, horizontally placed in the attic floor and opening outward toward the living space. For items penetrating the roof deck or walls, such as skylight wells or vents, the annular space must be covered with a minimum of 3 in. of insulation.

5.4.4 Use on Attic Floors: The insulations may be applied between and over the joists in attic floors to a maximum thickness of 8-1/2 inches and must be covered with DC315 intumescent coating as described in Section 5.4.2. The insulation must be separated from the interior occupied space by an approved thermal barrier.

5.5 Exterior Walls in Type I, II, III, and IV Construction:

5.5.1 When used in exterior walls of Type I, II, III, or IV construction, the assembly must comply with IBC Section 2603.5 and this section. Intertek Design Listing [GCM/FI 30-01](#) describes the assembly tested and certified by Intertek as complying with NFPA 285. The potential heat of the foam plastic is 534 Btu/ft² per inch of insulation thickness with a maximum permitted thickness of 6 inches.

5.5.2 Details of exterior wall coverings and fenestration details must be provided to the building official along with an engineering analysis demonstrating that the addition of the wall covering and fenestration details will not negatively impact conformance of the assembly with the requirements of IBC Section 2603.5.

6.0 CONDITIONS OF USE

6.1 Installation must comply with this Research Report, the manufacturer's published installation instructions, and the applicable Code. In the event of a conflict, this report governs.

6.2 The insulations must be separated from the interior occupied space of the building by a thermal barrier as described in Section 5.3, except as described in Section 5.3.2 and 5.4.

6.3 The insulations must not exceed the thicknesses noted in Sections 4.1, 5.3, and 5.4, as applicable.

6.4 When Ultra-Thane 050, Ultra-Thane 050 MAX, Ultra-Thane 050 MAX PRO, UPC 500, UPC 500 MAX or UPC 500 MAX PRO insulation is installed under the conditions of Section 5.4.3 of this report, the following conditions apply:

6.4.1 Since the performance of the insulation, when installed in unvented attics without a Code-prescribed ignition barrier or an intumescent coating, is based on fire performance of an unvented attic, the installation must be approved by the Code official. The installation must conform with the provisions of Section 5.4.3 and Conditions a through c, and Condition f of Section 5.4.2. A copy of the Intertek report (referenced in Section 7.0) must be provided to the Code official upon request.

6.4.2 Signage shall be permanently affixed in the attic and shall be visible from all points within the attic. The sign shall state "Caution, this is an unvented attic by design. No modification may be made to this unvented condition. The attic shall not be vented. Holes into the unvented attic shall be immediately repaired and sealed. Penetrations of the ceiling or wall membrane between the unvented attic and living space, other than the horizontal access hatch, must be protected in an approved manner. This unvented attic shall not be used for storage. See Intertek Code Compliance Research Report CCRR-0358 on the Intertek Website."

6.5 Use of the insulations in areas where the probability of termite infestation is "very heavy" must be in accordance with IRC Section R318.4 or IBC Section 2603.8, as applicable.

6.6 Walls must include a vapor barrier complying with the code.

6.7 Jobsite certification and labeling of the insulation must comply with IRC Section N1101.10, N1101.14 and IECC Sections C303.1 or R303.1 and R401.3, as applicable.





6.8 The insulations are manufactured under a quality control program with inspections by Intertek Testing Services NA, Inc.

7.0 SUPPORTING EVIDENCE

7.1 Reports of tests in accordance with ASTM E84, ASTM E2178, NFPA 259, NFPA 285, NFPA 286, and UL 1715.

7.2 Data in accordance with the ICC-ES Acceptance Criteria for Spray-applied Foam Plastic Insulation (AC377), dated April 2020, including reports of tests in accordance with Appendix X.

7.3 Data in accordance with ICC 1100 (2019).

7.4 Research Reports for evaluation of data in accordance with ICC-ES Acceptance Criteria for Fire-protective Coatings Applied to Spray-applied Foam Plastic Insulation Installed without a Code-prescribed Thermal Barrier (AC456), dated October 2015.

7.5 Intertek Product Evaluation Report No. 104294990SAT-010, July 31, 2020, "Application to Unvented Attic for Inclusion in Intertek Code Compliance Research Report CCRR-0358."

7.6 Intertek Listing Report "[General Coatings Ultra-Thane 050, Ultra-Thane 050 MAX, Ultra-Thane 050 MAX PRO, UPC 500, UPC 500 MAX and UPC 500 MAX PRO Spray-applied Polyurethane Foam Plastic Insulation](#)", on the [Intertek Directory of Building Products](#).

8.0 IDENTIFICATION

The A and B components of the insulations described in this Research Report are identified with the manufacturer's name (General Coatings Manufacturing Corp or Universal Polymers Corporation), address and telephone number; the product name; use instructions; the flame-spread and smoke-developed indices; the lot number; the Intertek Mark as shown below; and the Code Compliance Research Report number (CCRR-0358).



9.0 OTHER CODES

This section is not applicable.

10.0 CODE COMPLIANCE RESEARCH REPORT USE

10.1 Approval of building products and/or materials can only be granted by a building official having legal authority in the specific jurisdiction where approval is sought.

10.2 Code Compliance Research Reports shall not be used in any manner that implies an endorsement of the product by Intertek.

10.3 Reference to the <https://bpdirectory.intertek.com> is recommended to ascertain the current version and status of this report.





TABLE 1 - PROPERTIES EVALUATED

PROPERTY	2021 IBC SECTION ¹	2021 IRC SECTION ¹	2021 IECC SECTION ¹
Physical properties	2603.1.1	Not required	Not required
Surface-burning characteristics	2603.3	R316.3	Not applicable
Thermal barrier/ignition barrier	2603.4	R316.4	Not applicable
Air permeability	1202.3	R806.5	C402.5
Exterior Walls in Types I-IV Construction	2603.5	Not applicable	Not applicable
Thermal resistance	1301	N1101.10 N1102	C303.1 R303.1

¹ Section numbers may be different for earlier versions of the International codes.

TABLE 2 – THERMAL RESISTANCE – ULTRA-THANE 050 AND UPC 500

THICKNESS (in.)	R-VALUE (°F.ft ² .h/Btu) ^{1, 2, 3}
1	4.2
3.5	13
14	52

¹R-values are calculated based on tested R-values at 1- and 4-inch thicknesses.

²R-values between 1 and 3.5 inches may be interpolated; R-values greater than 3.5 inches are calculated using R=3.74 / inch.

³R-values greater than 10 are rounded to the nearest whole number.